

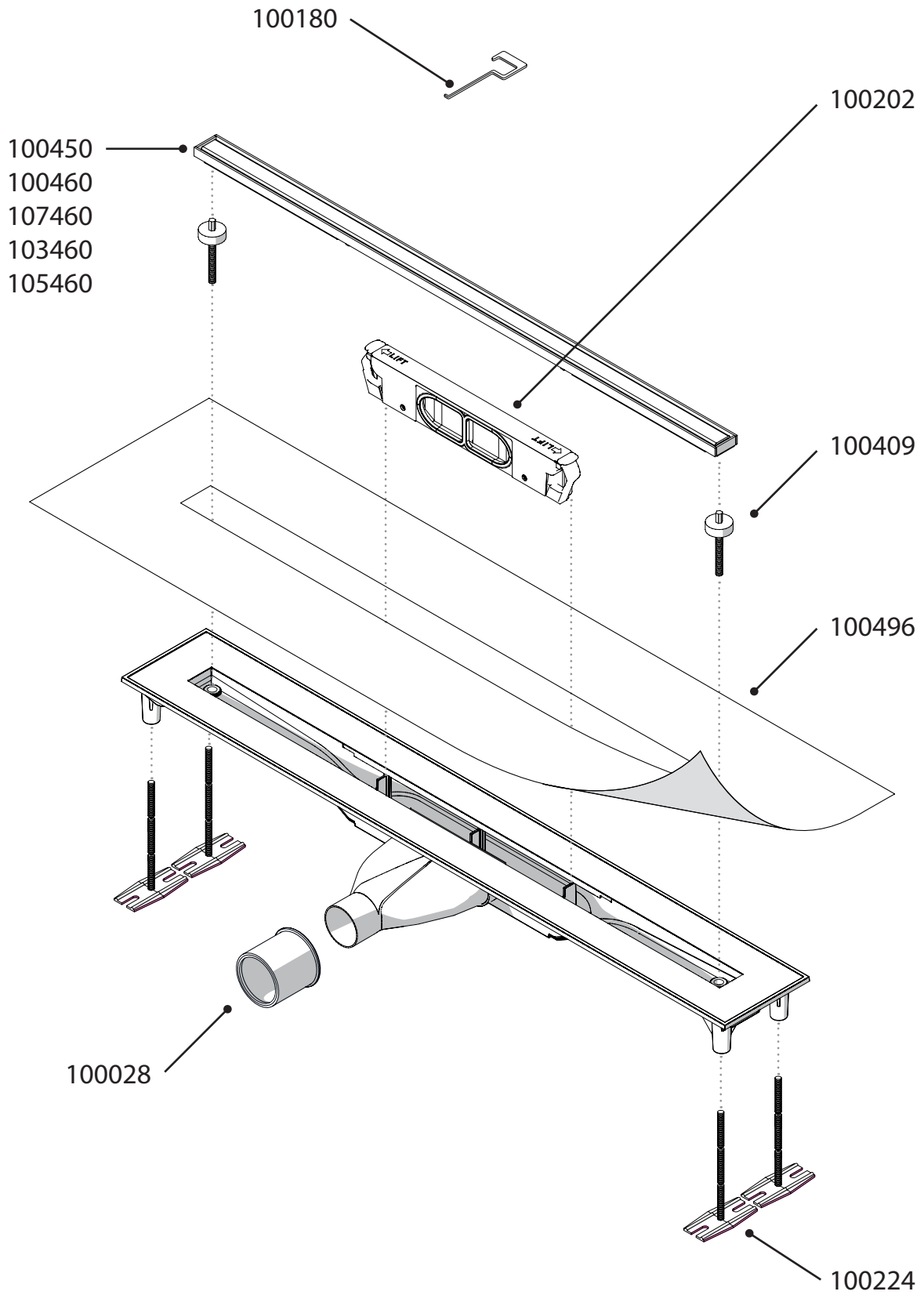
Technical Specifications

Mydrain **S-70**

100407	S-70 INOX STAINLESS STEEL
100417	S-70 BLACK POWDER COATED
X473CH	S-70 CHAMPAGNE PVD
X473CO	S-70 ROSE GOLD PVD
X473SM	S-70 GUN METAL PVD



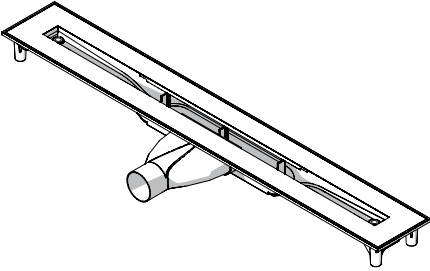
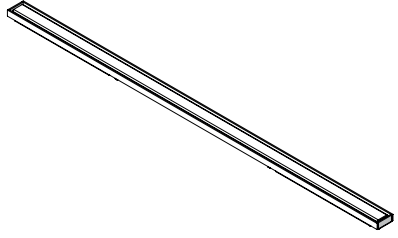
Mydrain **S-70** / Technical Specifications



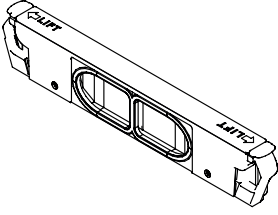
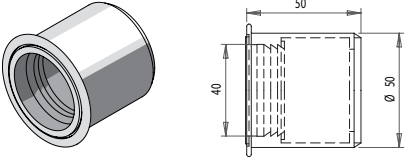
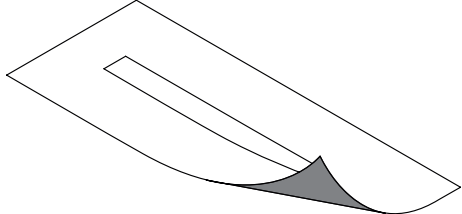
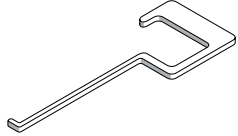
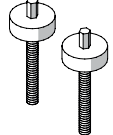
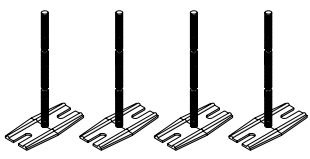
Mydrain **S-70** / Technical Specifications

70

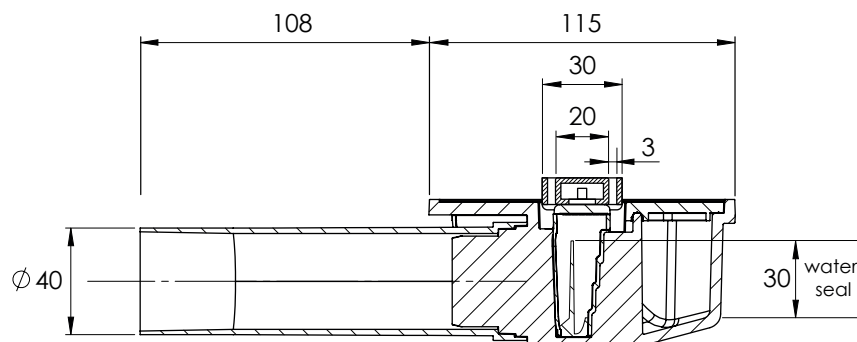
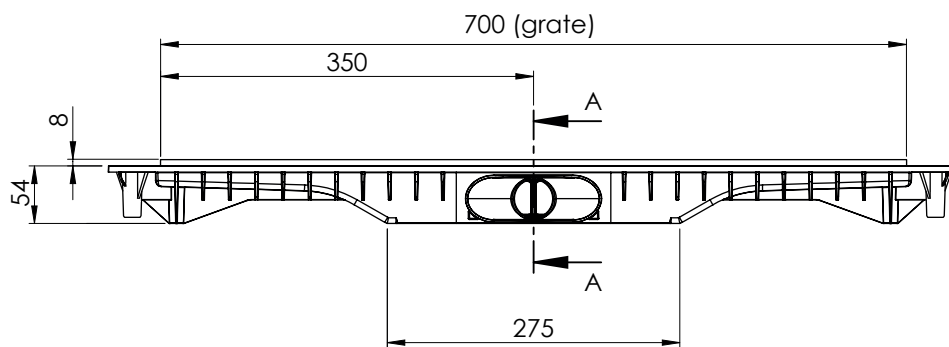
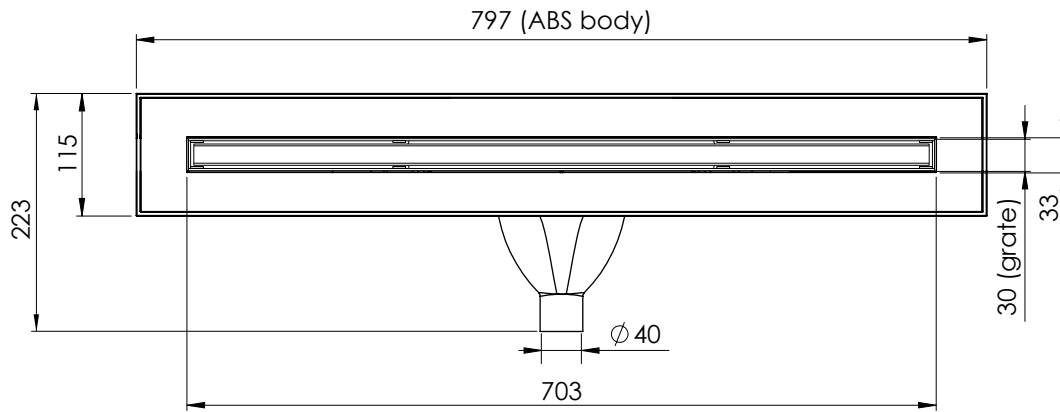
Box length	835 mm
Box width	235 mm
Box height	90 mm
Weight per box (=complete package)	2,90 kg
Weight per pallet incl. pallet	160 kg
Number of sets per box	1
Number of boxes per pallet	50

PART	DESCRIPTION	CODE
	<p>S-70 BODY</p> <p>Material : High Heat ABS Dimensions : see later in this technical datasheet General : drainage system with patented "superf" technology pre-glued Greenlox-flange (36mm) drainage capacity: see KIWA table max. water temperature = 90°C</p>	
	<p>S-70 GRATE SET</p> <p>grate frame + tube</p> <p>Dimensions : L 700 mm x W 30 mm x H 12 mm Material : GRILLE S-70 INOXE stainless steel 304 GRILLE S-70 BLACK stainless steel 304 + Powder coating GRILLE S-70 CHAMPAGNE stainless steel 304 + PVD coating GRILLE S-70 ROSE GOLD stainless steel 304 + PVD coating GRILLE S-70 GUN METAL stainless steel 304 + PVD coating</p>	<p>100450 100460 107460 103460 105460</p>

Mydrain S-70 / Technical Specifications

PART	DESCRIPTION	CODE
	<p>SIPHON 100202</p> <p>Material : High Heat ABS + TPE Dimensions : water seal height = 30 mm General : drainage capacity: see KIWA table, not frost resistant</p>	100202
	<p>SLIDING SOCKET 40/50 100028</p> <p>Material : PP-Block Copolymere (PP-B), rubber seal Dimensions : diameter from 40 mm to 50 mm</p>	100028
	<p>SEPARATE GREENLOX FLANGE 100496</p> <p>Material : Greenlox-membrane with cutout Dimensions : GREENLOX FLANGE S-70 : L 1000 x W 350 x H 0,4 mm More info : see Greenlox technical datasheet</p>	100496
	<p>MULTI-KEY 100180</p> <p>Material : stainless steel 304 Dimensions : L 85 mm x W 30 mm x H 2 mm</p>	100180
	<p>ADJUSTING SCREW SET 100409</p> <p>Material : set of 2 ABS adjusting screws M6 Dimensions : H 54 x D 20 mm</p>	100409
	<p>FEET SET 100224</p> <p>Material : set of 4 ABS feet Dimensions : L 70 mm x W 33 mm x H 92 mm</p>	100224

Mydrain S-70 / Technical Specifications



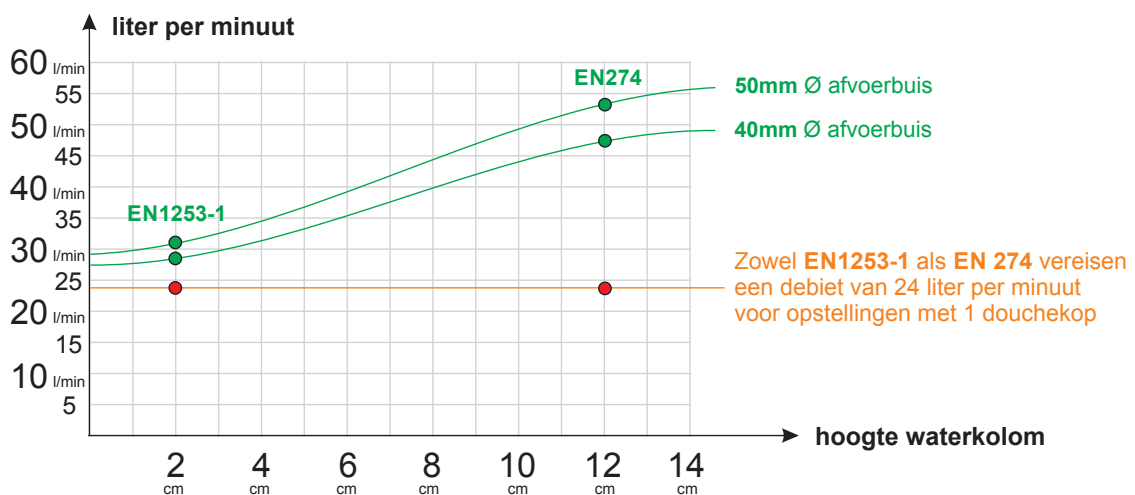
SECTION A-A

Mydrain S-70 / Drainage Rates



	EN 1253-1	EN 274
	Deze testmethode vereist een afvoerbuis van 100cm lang en een waterkolom van 20 mm boven het afvoerrooster	Deze testmethode vereist een afvoerbuis van 30cm lang en een waterkolom van 120 mm boven het afvoerrooster
	30,8 l/min. =0,51l/s	53,3 l/min. =0,89l/s
	28,3 l/min. =0,47l/s	46,7 l/min. =0,78l/s

FLOW CHART



Tested by KIWA - januari 2016
Rapportnr LC 12625