

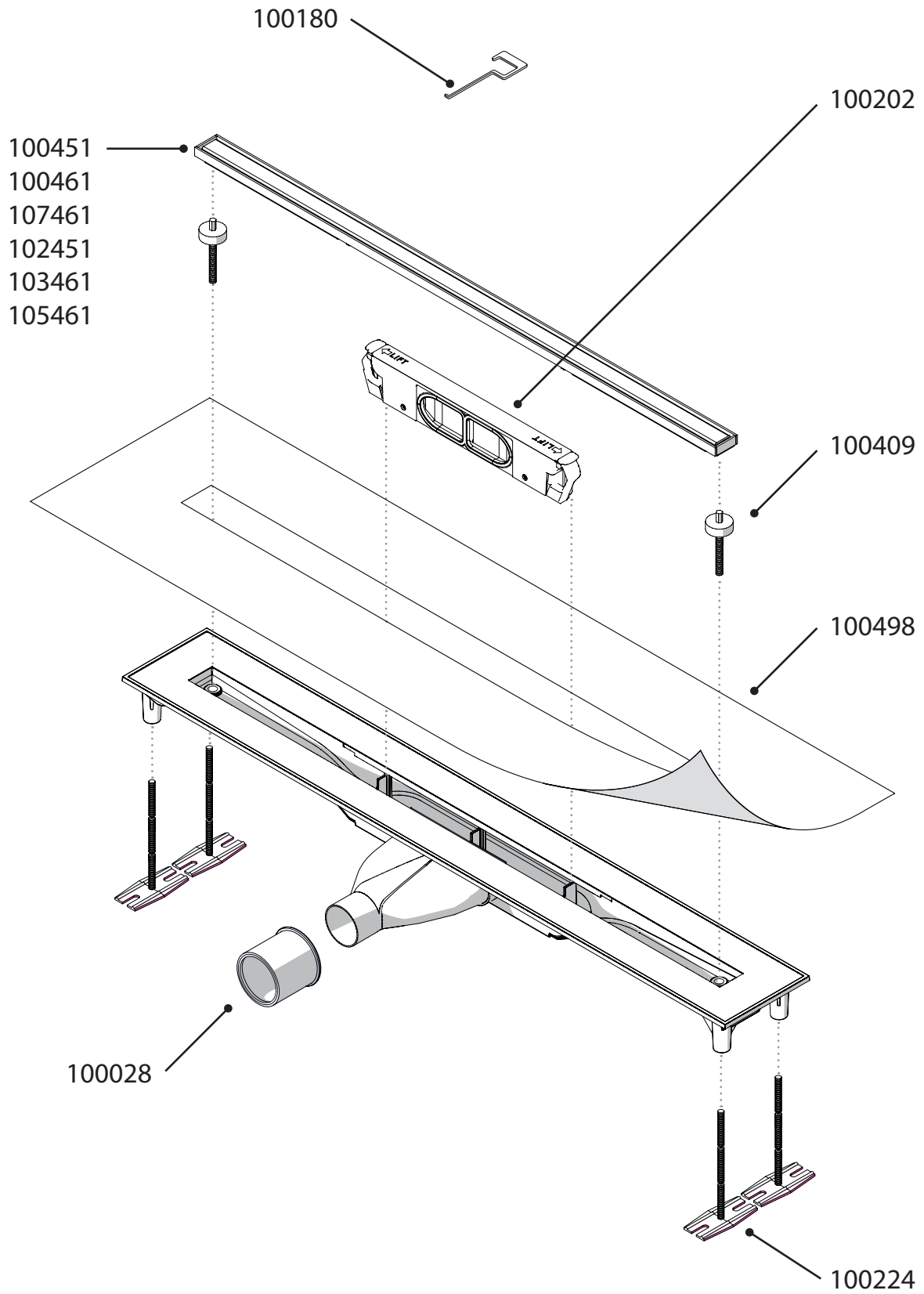
# Technical Specifications

## Mydrain **S-80**

100408	S-80 <b>INOX</b> STAINLESS STEEL
100418	S-80 <b>BLACK</b> EPOXY COATED
100422	S-80 <b>CHAMPAGNE</b> PVD
100419	S-80 <b>GOLD</b> PVD
100420	S-80 <b>ROSE GOLD</b> PVD
100421	S-80 <b>GUN METAL</b> PVD



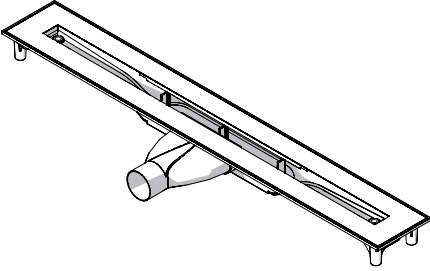
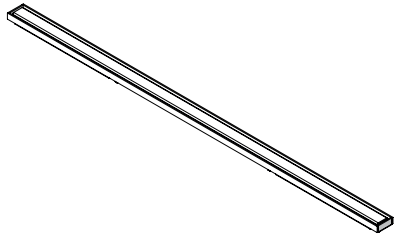
# Mydrain S-80 / Technical Specifications



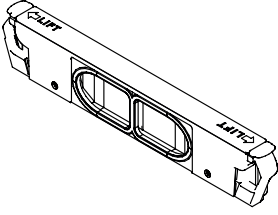
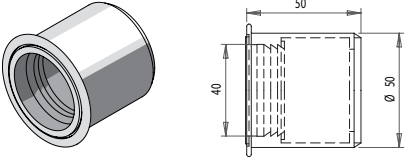
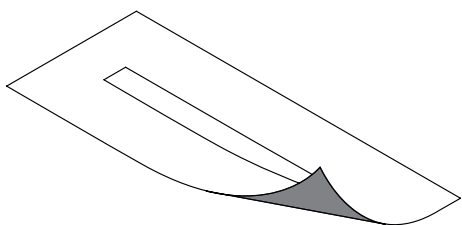
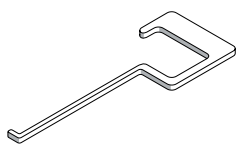
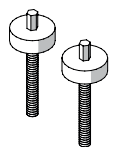
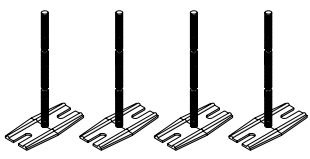
# Mydrain S-80 / Technical Specifications

800

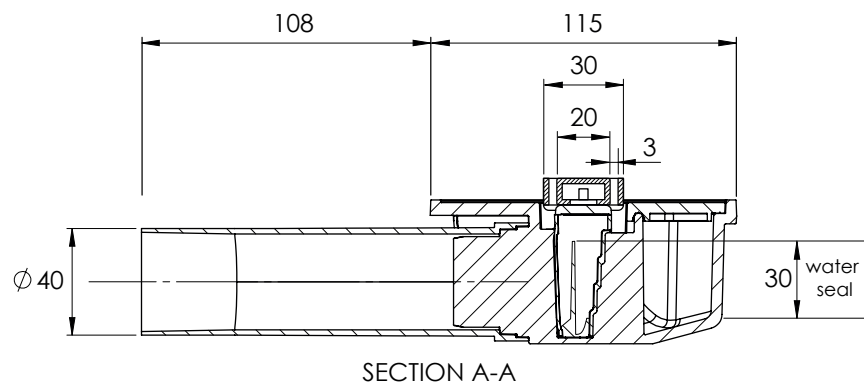
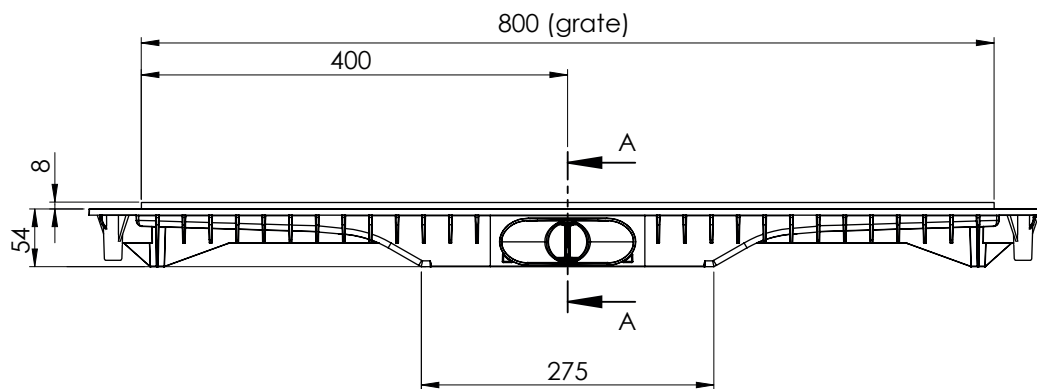
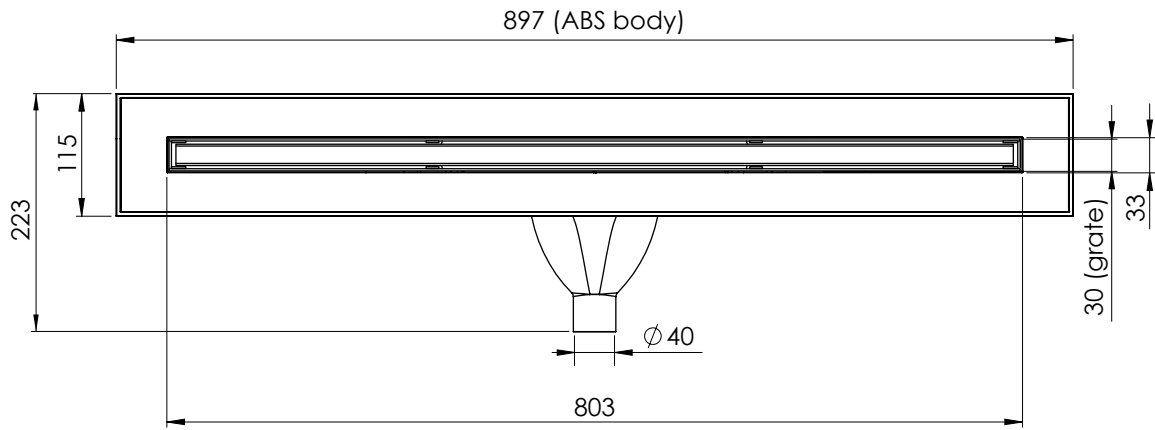
Box length	935 mm
Box width	235 mm
Box height	90 mm
Weight per box (=complete package)	3,10 kg
Weight per pallet incl. pallet	172 kg
Number of sets per box	1
Number of boxes per pallet	50

PART	DESCRIPTION	CODE
	<p><b>S-80 BODY</b></p> <p><b>Material :</b> High Heat ABS  <b>Dimensions :</b> see later in this technical datasheet  <b>General :</b>                      drainage system with patented "superf" technology                      pre-glued Greenlox-flange (36mm)                      drainage capacity: see KIWA table                      max. water temperature = 90°C</p>	
	<p><b>S-80 GRATE SET</b></p> <p>grate frame + tube</p> <p><b>Dimensions :</b> L 800 mm x W 30 mm x H 12 mm  <b>Material :</b>                      GRILLE S-80 <b>INOXE</b> stainless steel 304                      GRILLE S-80 <b>BLACK</b> stainless steel 304 + Powder coating                      GRILLE S-80 <b>CHAMPAGNE</b> stainless steel 304 + PVD coating                      GRILLE S-80 <b>GOLD</b> stainless steel 304 + PVD coating                      GRILLE S-80 <b>ROSE GOLD</b> stainless steel 304 + PVD coating                      GRILLE S-80 <b>GUN METAL</b> stainless steel 304 + PVD coating</p>	<p>100451                      100461                      107461                      102461                      103461                      105461</p>

# Mydrain S-80 / Technical Specifications

PART	DESCRIPTION	CODE
	<p><b>SIPHON 100202</b></p> <p><b>Material :</b> High Heat ABS + TPE  <b>Dimensions :</b> water seal height = 30 mm  <b>General :</b> drainage capacity: see KIWA table, not frost resistant</p>	100202
	<p><b>SLIDING SOCKET 40/50 100028</b></p> <p><b>Material :</b> PP-Block Copolymere (PP-B), rubber seal  <b>Dimensions :</b> diameter from 40 mm to 50 mm</p>	100028
	<p><b>SEPARATE GREENLOX FLANGE 100498</b></p> <p><b>Material :</b> Greenlox-membrane with cutout  <b>Dimensions :</b>  GREENLOX FLANGE S-80 : L 1100 x W 350 x H 0,4 mm  <b>More info :</b> see Greenlox technical datasheet</p>	100498
	<p><b>MULTI-KEY 100180</b></p> <p><b>Material :</b> stainless steel 304  <b>Dimensions :</b> L 85 mm x W 30 mm x H 2 mm</p>	100180
	<p><b>ADJUSTING SCREW SET 100409</b></p> <p><b>Material :</b> set of 2 ABS adjusting screws M6  <b>Dimensions :</b> H 54 x D 20 mm</p>	100409
	<p><b>FEET SET 100224</b></p> <p><b>Material :</b> set of 4 ABS feet  <b>Dimensions :</b> L 70 mm x W 33 mm x H 92 mm</p>	100224

# Mydrain S-80 / Technical Specifications

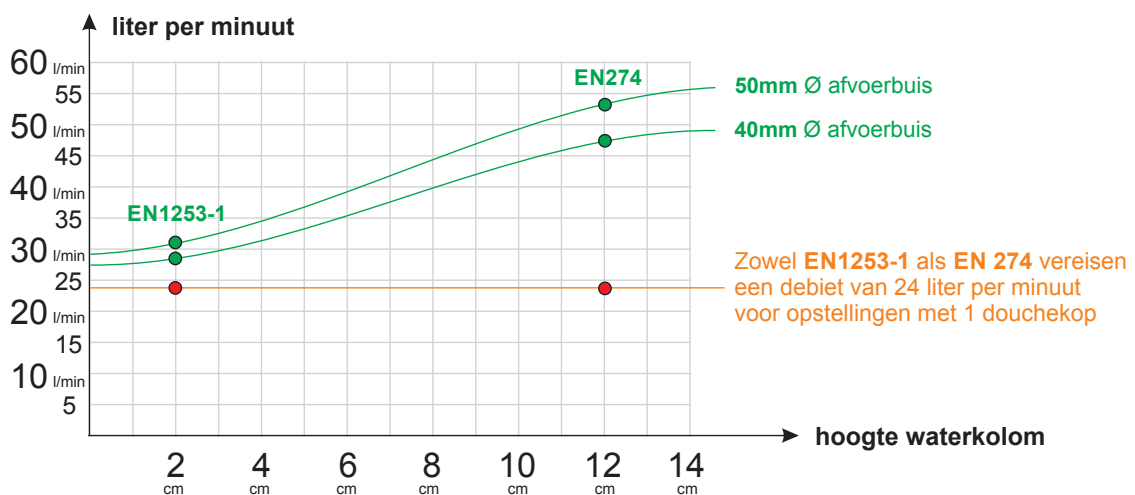


# Mydrain S-80 / Drainage Rates



	EN 1253-1	EN 274
	Deze testmethode vereist een afvoerbuis van 100cm lang en een waterkolom van 20 mm boven het afvoerrooster	Deze testmethode vereist een afvoerbuis van 30cm lang en een waterkolom van 120 mm boven het afvoerrooster
	<b>30,8 l/min.</b> =0,51l/s	<b>53,3 l/min.</b> =0,89l/s
	<b>28,3 l/min.</b> =0,47l/s	<b>46,7 l/min.</b> =0,78l/s

## FLOW CHART



Tested by KIWA - januari 2016  
Rapportnr LC 12625